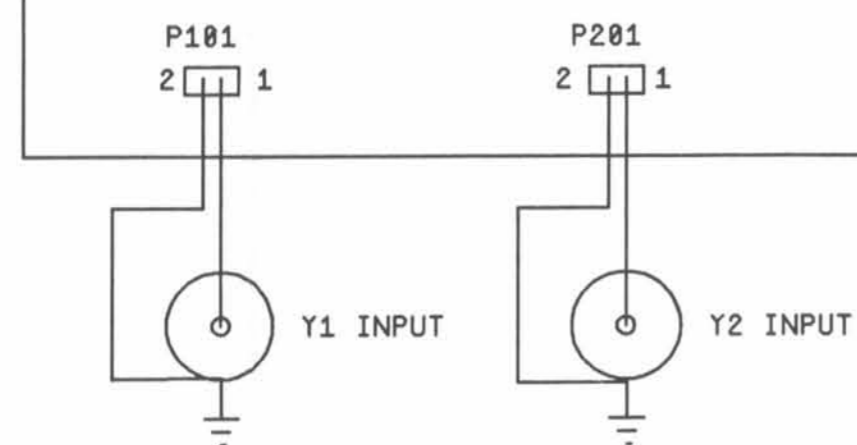


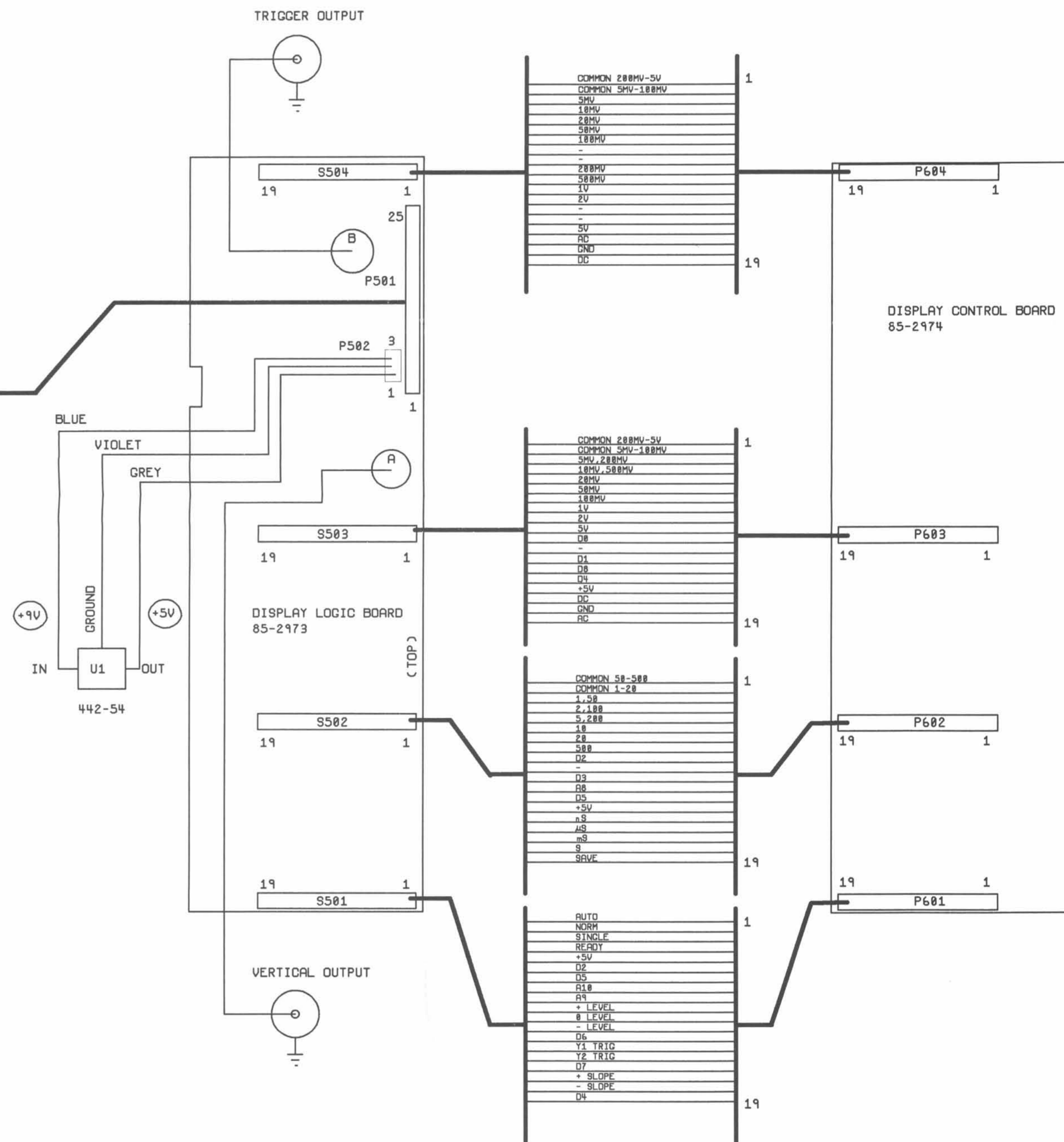
SCHEMATIC OF THE
DIGITAL MEMORY
OSCILLOSCOPE
MODEL 4850

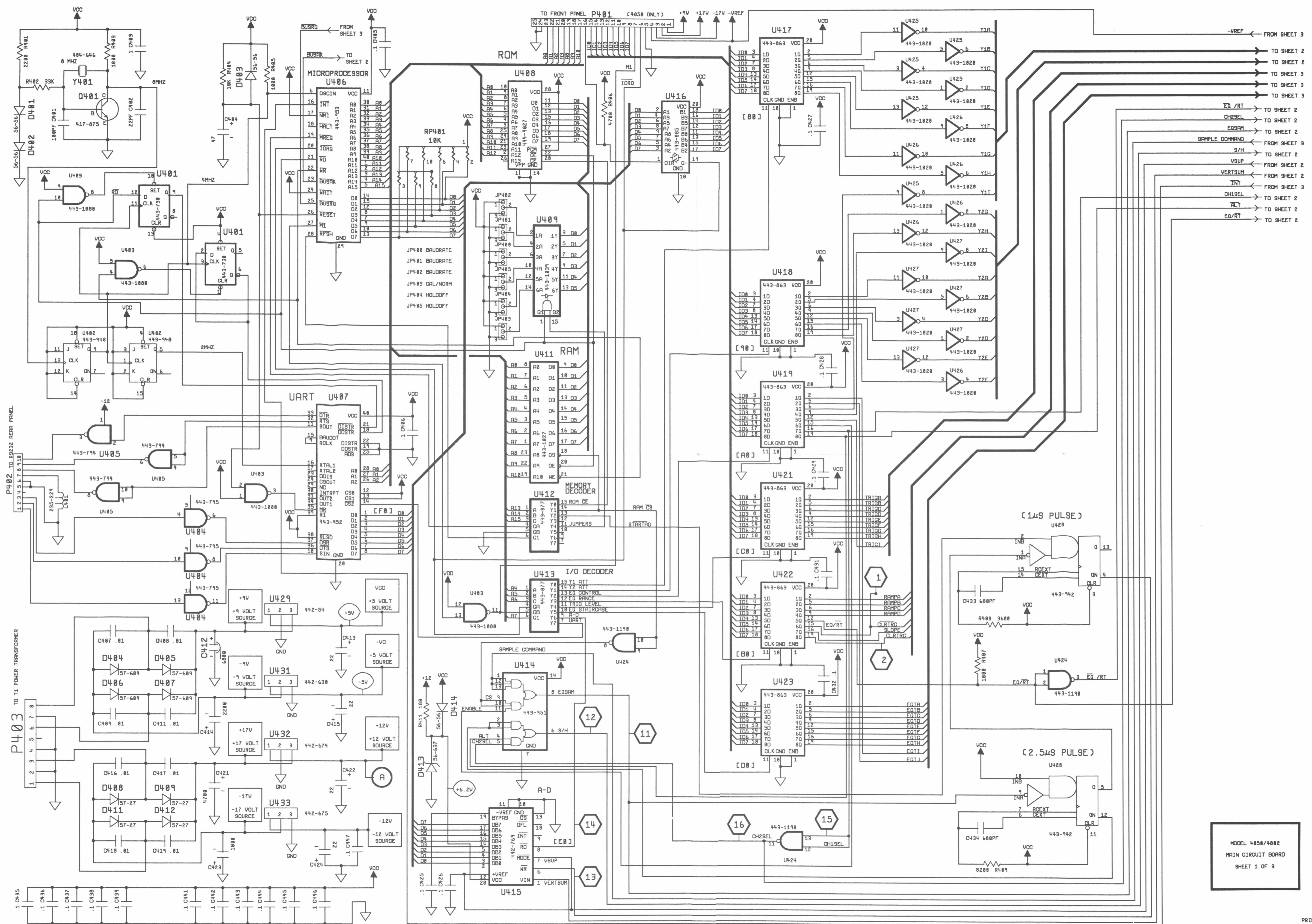
NOTES:

- RESISTORS ARE RATED AT 1/4 WATT. RESISTOR VALUES ARE IN OHMS (K=1,000 ; M=1,000,000)
- CAPACITOR VALUES ARE IN μF (MICROFARADS) UNLESS OTHERWISE LISTED. (PF=PICOFARADS)
- SYMBOLS :
 - INDICATES A D.C. VOLTAGE TAKEN WITH A HIGH INPUT IMPEDANCE VOLTMETER FROM THE POINT TO CHASSIS GROUND. VOLTAGES MAY VARY +/- 20%.
 - ▽ INDICATES A CIRCUIT BOARD GROUND.
 - ⊥ INDICATES A CHASSIS GROUND.
 - THIS SYMBOL, WITH A LETTER, INDICATES A WIRE CONNECTION TO A CIRCUIT BOARD.
 - INDICATES A VOLTAGE SOURCE.
 - ↑ INDICATES A CONNECTION TO A VOLTAGE SOURCE, THAT ORIGINATES ON SAME BOARD.
 - [] INDICATES ADDRESS OF PART USED BY THE SOFTWARE.
 - TO INDICATES LINE THAT ORIGINATES ON THIS SHEET AND CONNECTS TO ANOTHER SHEET.
 - ← FROM INDICATES LINE THAT ORIGINATES ON ANOTHER SHEET AND CONNECTS TO THIS SHEET.
 - INDICATES A WAVEFORM LOCATION. REFER TO THE WAVEFORM SECTION OF THE ILLUSTRATION BOOKLET.
- REFER TO THE "CIRCUIT BOARD X-RAY VIEWS" FOR THE PHYSICAL LOCATION OF PARTS.
- PARTS WITHIN THE SHADED AREA ARE CRITICAL TO CONTINUED SAFETY. USE A HEATH REPLACEMENT OR EXACT EQUIVALENT.
- COMPONENT NUMBERS ARE IN THE FOLLOWING GROUPS:
 - 1-99 PARTS LOCATED ON THE CHASSIS.
 - 100-199 PARTS LOCATED ON THE MAIN BOARD (Y1 VERTICAL CIRCUITS)
 - 200-299 PARTS LOCATED ON THE MAIN BOARD (Y2 VERTICAL CIRCUITS)
 - 300-399 PARTS LOCATED ON THE MAIN BOARD (TIME BASE CIRCUITS)
 - 400-499 PARTS LOCATED ON THE MAIN BOARD (CONTROLLER CIRCUITS)
 - 500-599 PARTS LOCATED ON THE DISPLAY LOGIC BOARD.
 - 600-699 PARTS LOCATED ON THE DISPLAY CONTROL BOARD.

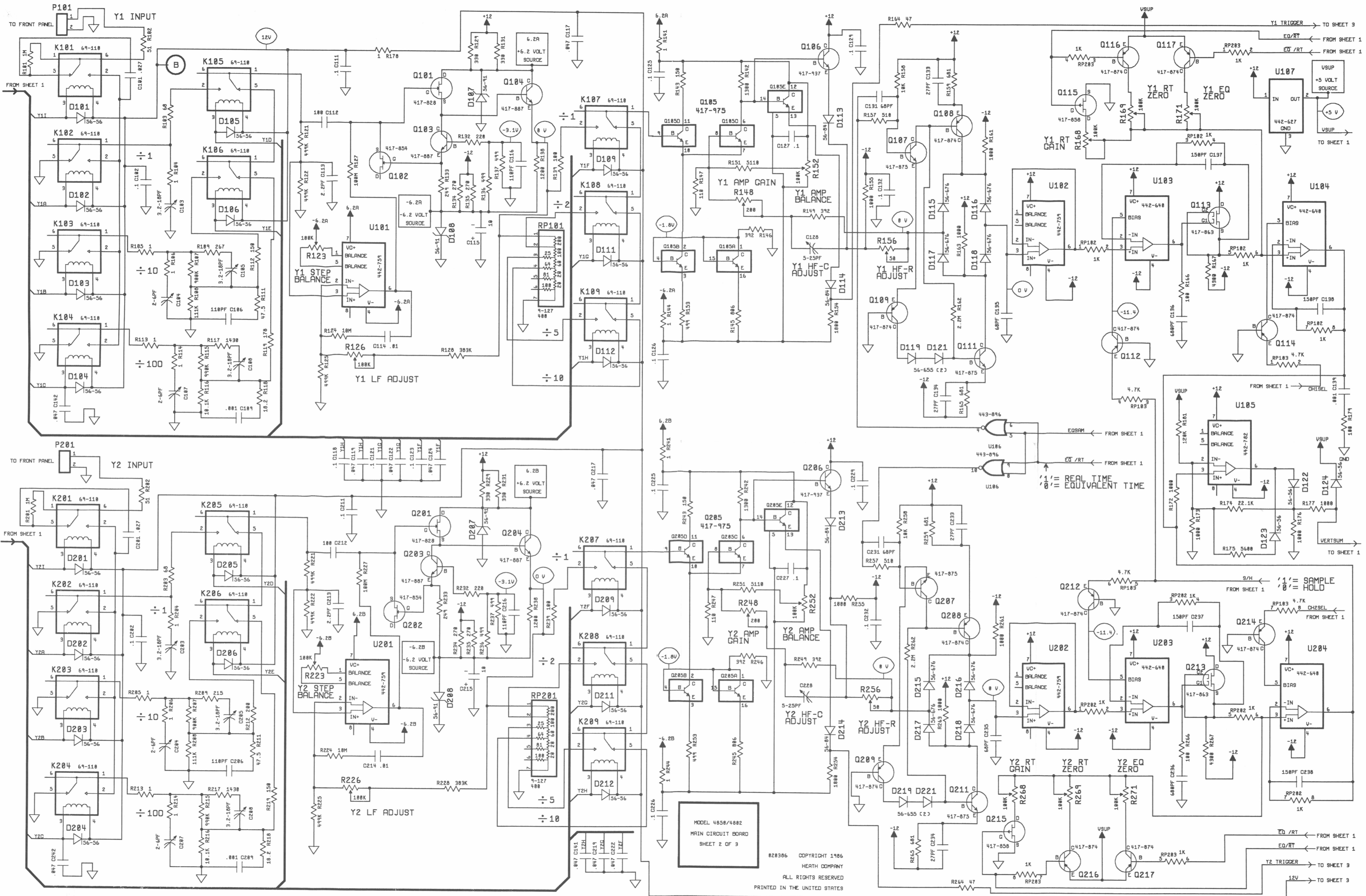


MAIN CIRCUIT BOARD
85-3154





MODEL 4850/4882
 MAIN CIRCUIT BOARD
 SHEET 1 OF 3



MODEL 4850/4882
 MAIN CIRCUIT BOARD
 SHEET 2 OF 3

820306 COPYRIGHT 1966
 HEATH COMPANY
 ALL RIGHTS RESERVED
 PRINTED IN THE UNITED STATES

'1' = REAL TIME
 '0' = EQUIVALENT TIME

9/H ← 1/10 = SAMPLE HOLD

P101
 TO FRONT PANEL
 Y1 INPUT

P201
 TO FRONT PANEL
 Y2 INPUT

Y1 TRIGGER → TO SHEET 3

EQ/RT ← FROM SHEET 1

EQ/RT ← FROM SHEET 1

TO SHEET 1

FROM SHEET 1 → CHISEL

TO SHEET 1

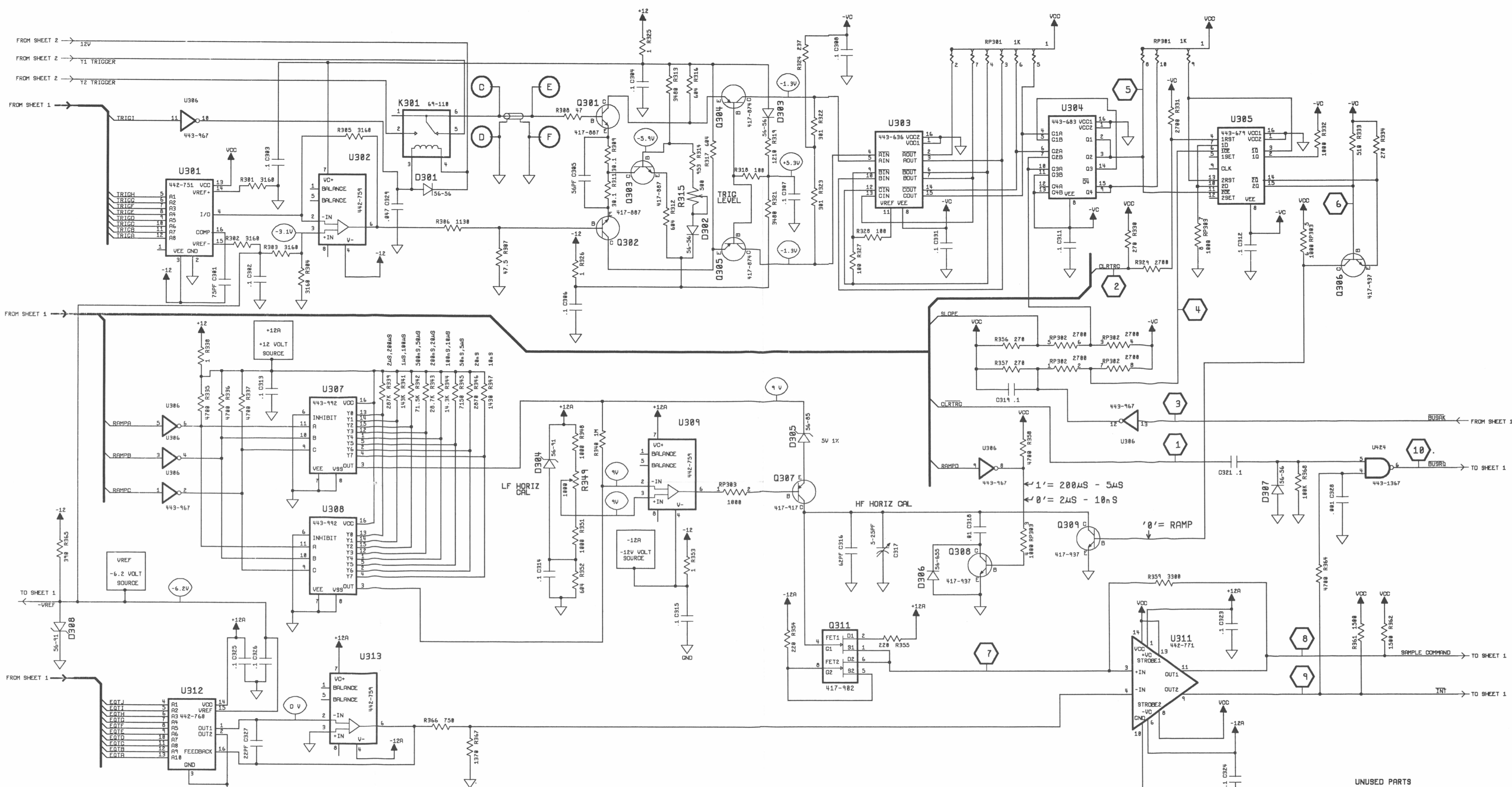
FROM SHEET 1

FROM SHEET 1

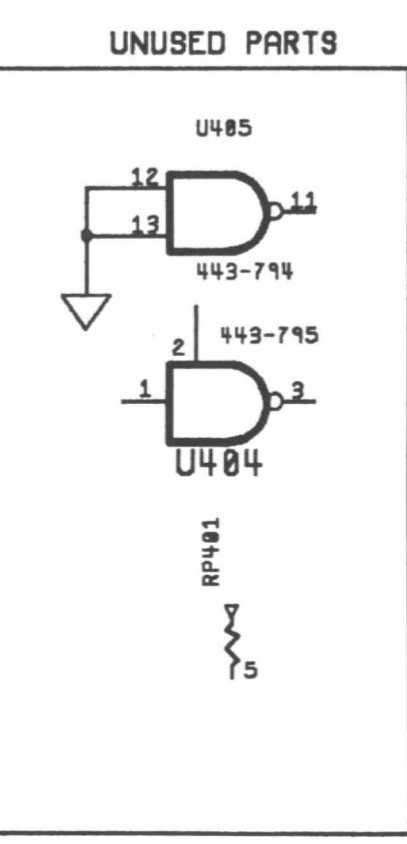
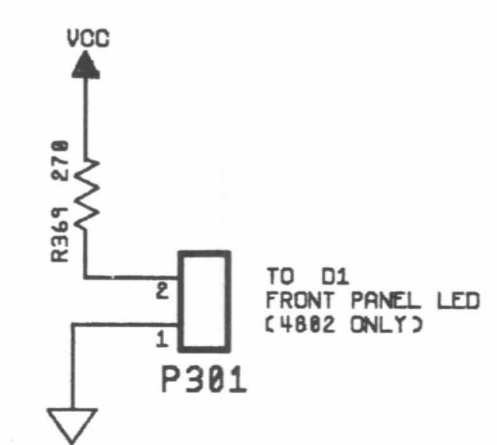
EQ/RT ← FROM SHEET 1

EQ/RT ← FROM SHEET 1

12V → TO SHEET 3

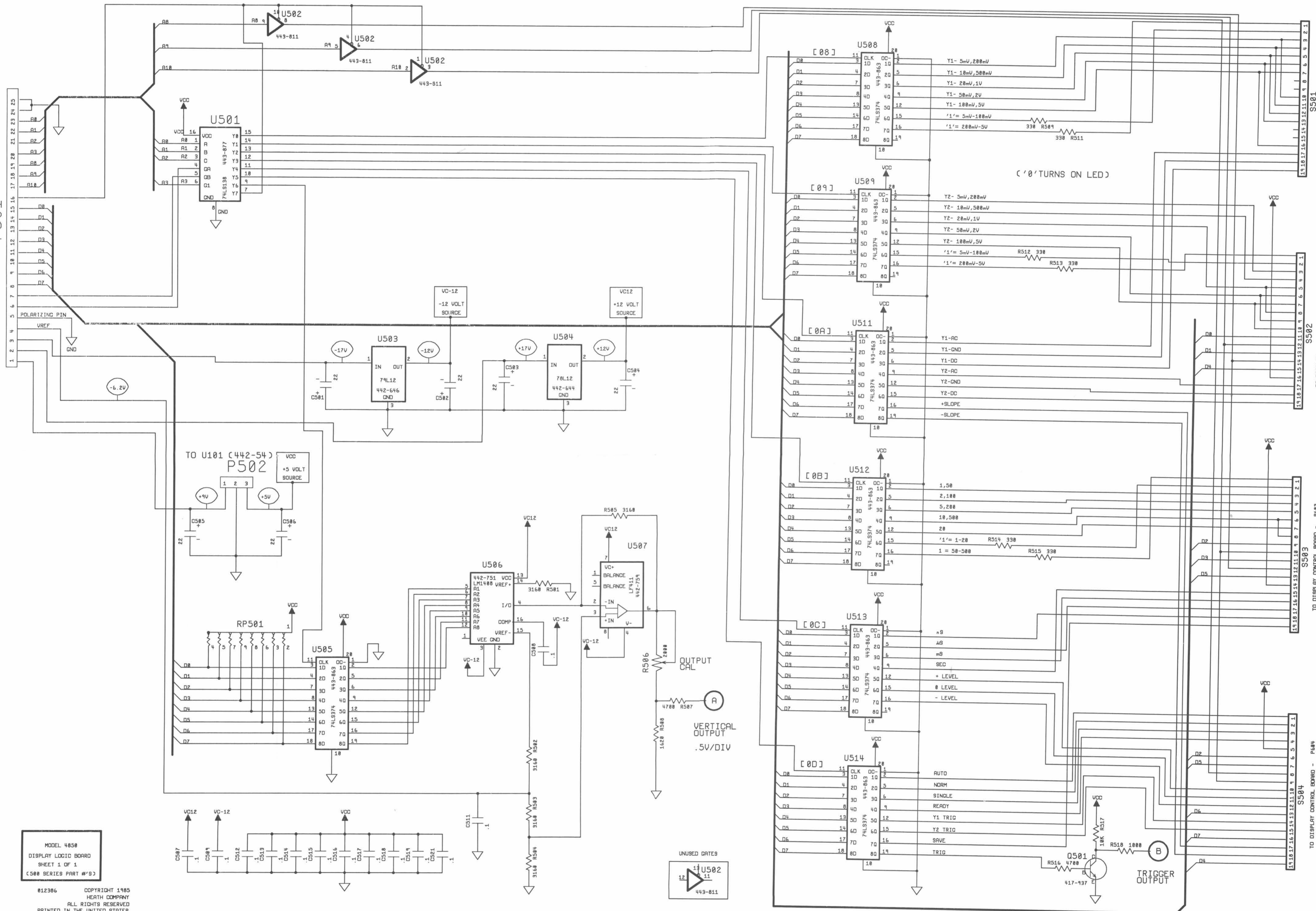


MODEL 4802/4850
MAIN CIRCUIT BOARD
SHEET 3 OF 3



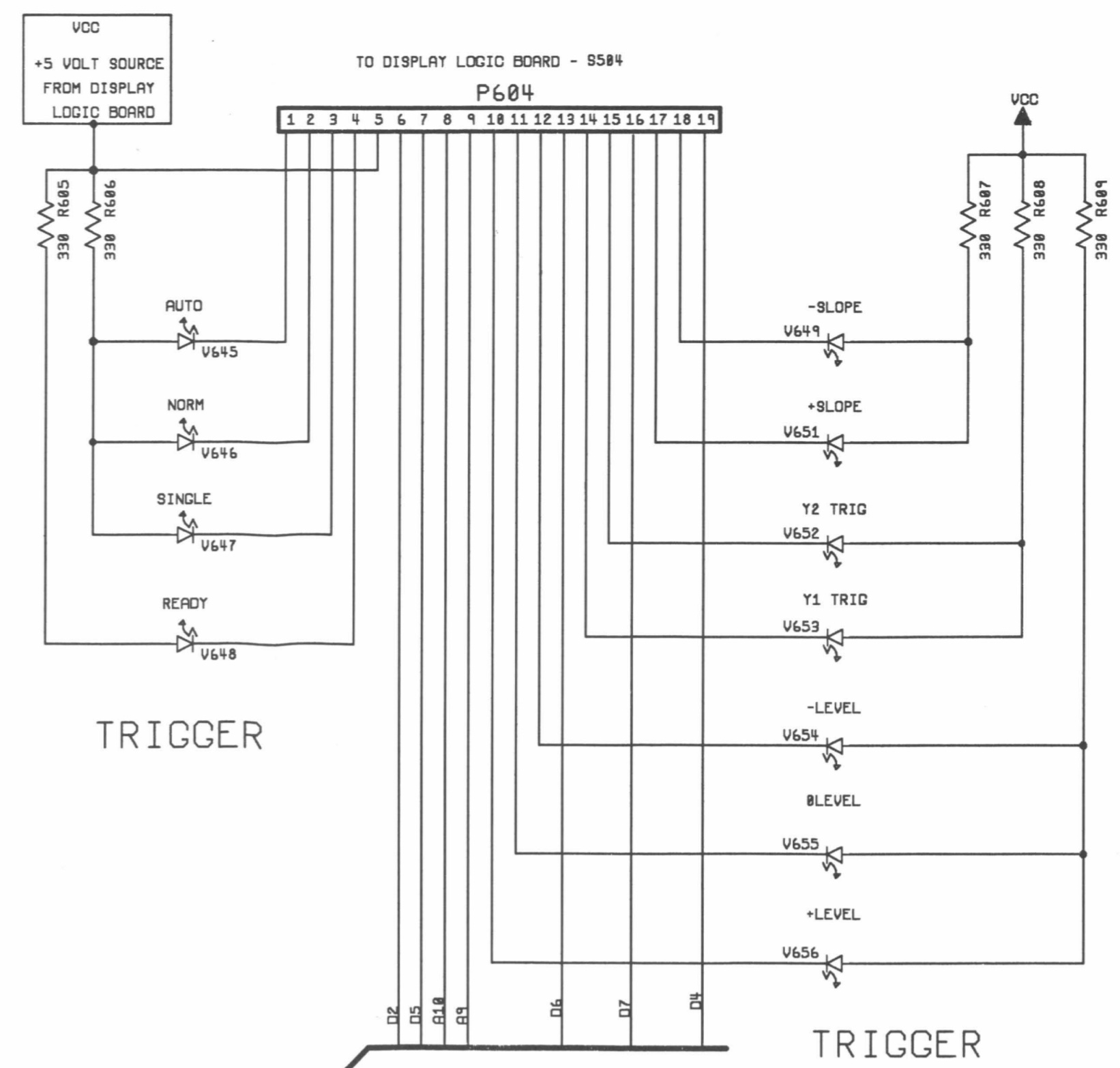
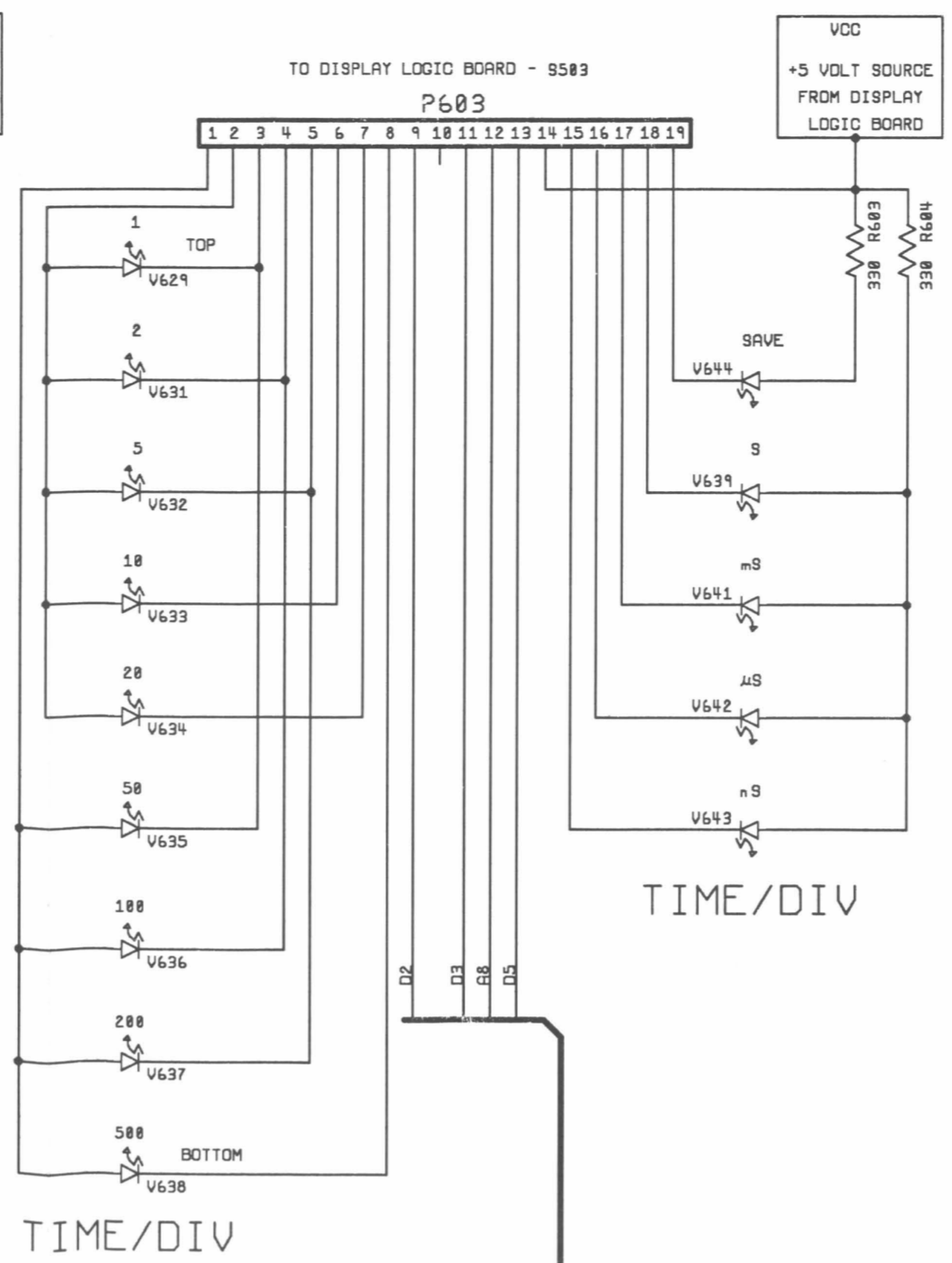
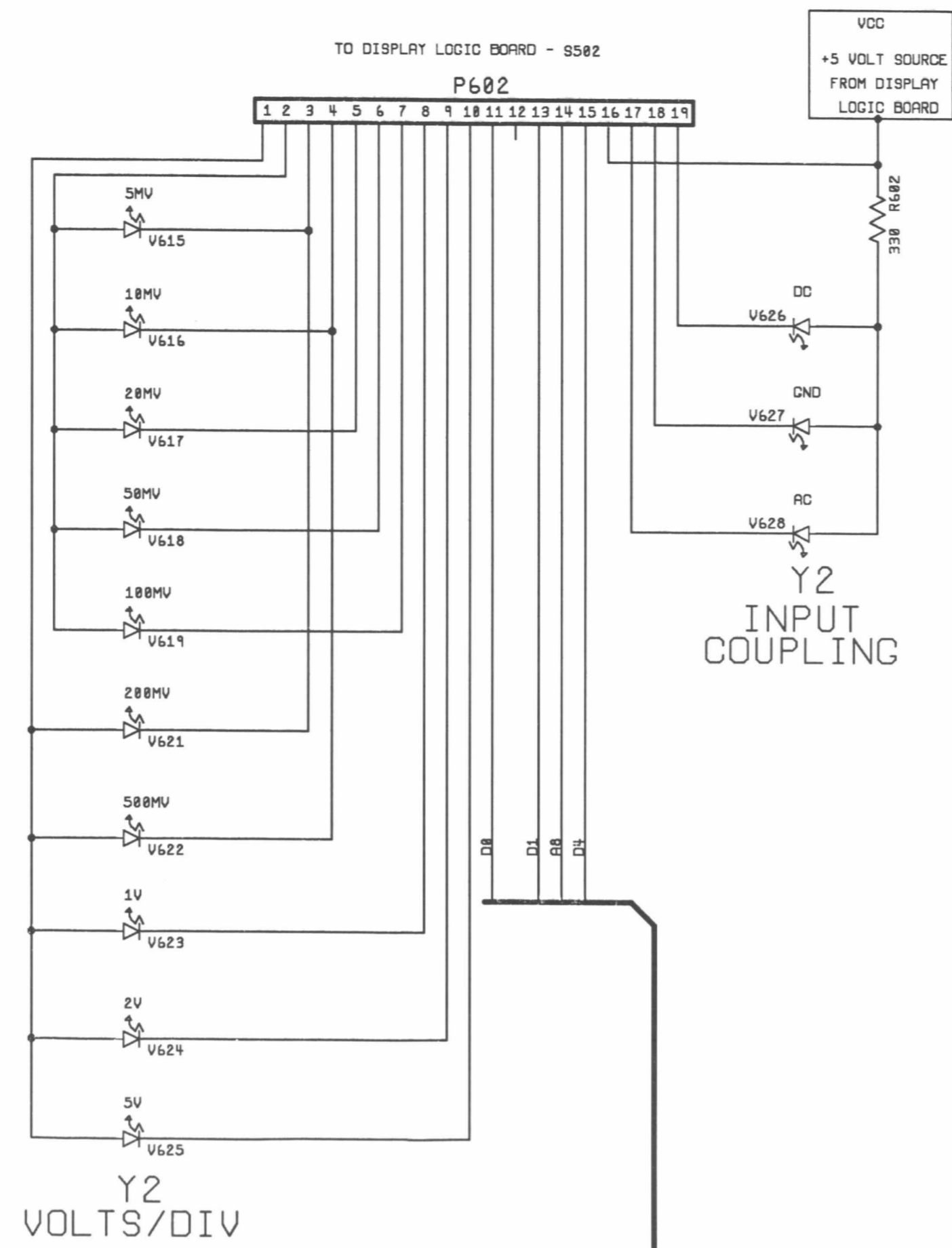
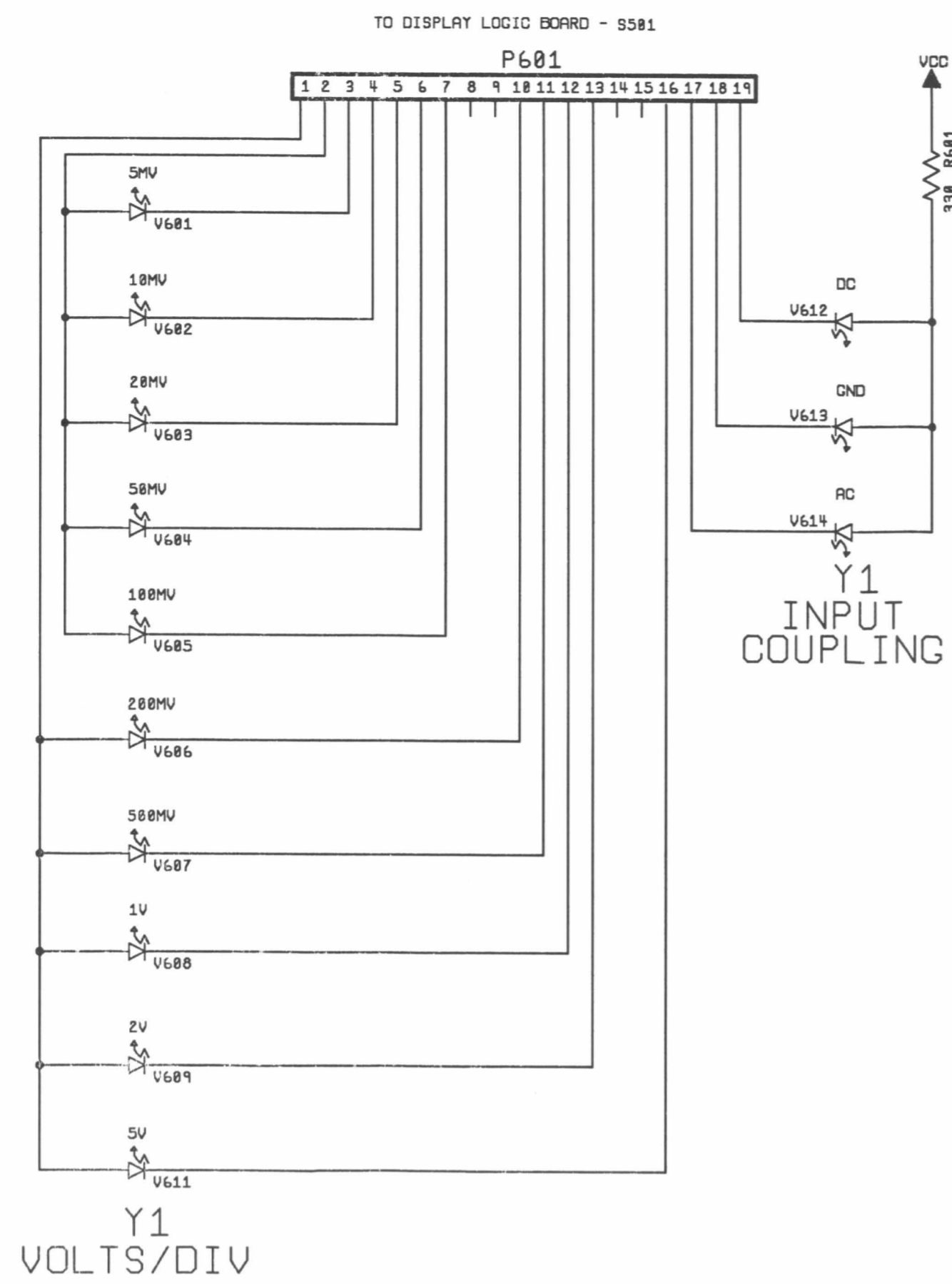
TO MAIN BOARD - P441

P501



MODEL 4850
 DISPLAY LOGIC BOARD
 SHEET 1 OF 1
 (500 SERIES PART #9)

812366 COPYRIGHT 1985
 HEATH COMPANY
 ALL RIGHTS RESERVED
 PRINTED IN THE UNITED STATES



ALL LED'S 412-654

MODEL 4850
DISPLAY CONTROL BOARD
SHEET 1 OF 1
C600 SERIES PART #'S

012386 COPYRIGHT 1986
HEATH COMPANY
ALL RIGHTS RESERVED
PRINTED IN THE UNITED STATES

